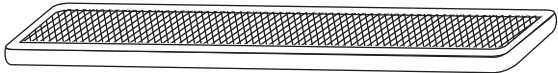
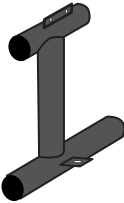
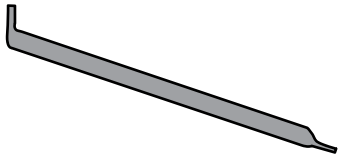
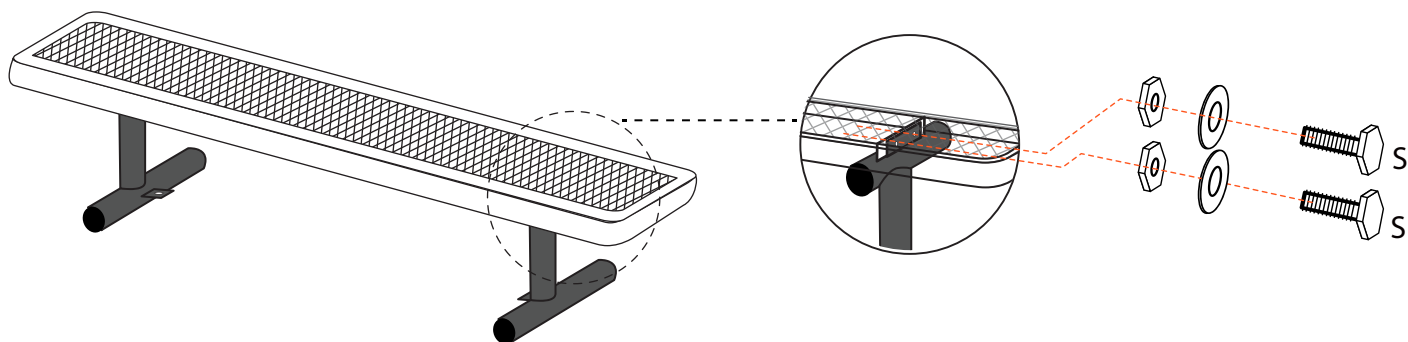


SKU: ENB-96

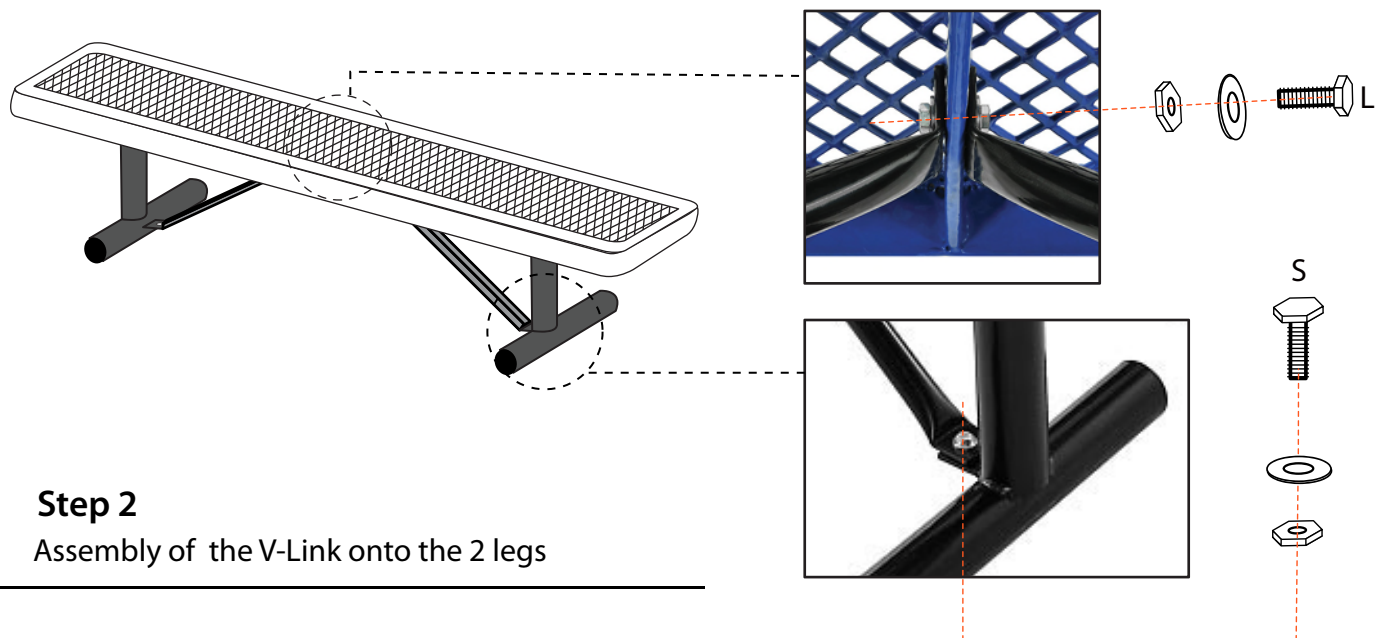
Name: Picnic Bench

Expanded Metal, without Backrest

Seat 	Legs 	
1 pcs	2 pcs	V-Link 2 pcs
L -- Dia. 5/16" x L. 1 3/8" Hex Cap Screw and 5/16" Hex Nut One set S -- Dia. 5/16" x L. 1" Hex Cap Screw and 5/16" Hex Nut Six sets		



**Step 1**  
Assembly of the Legs and Seat



**Step 2**  
Assembly of the V-Link onto the 2 legs