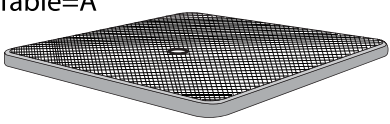
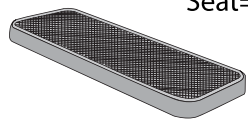
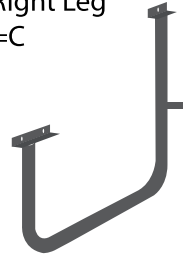
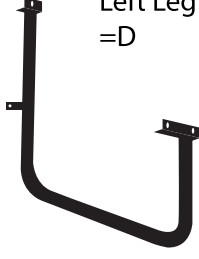
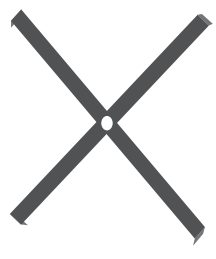




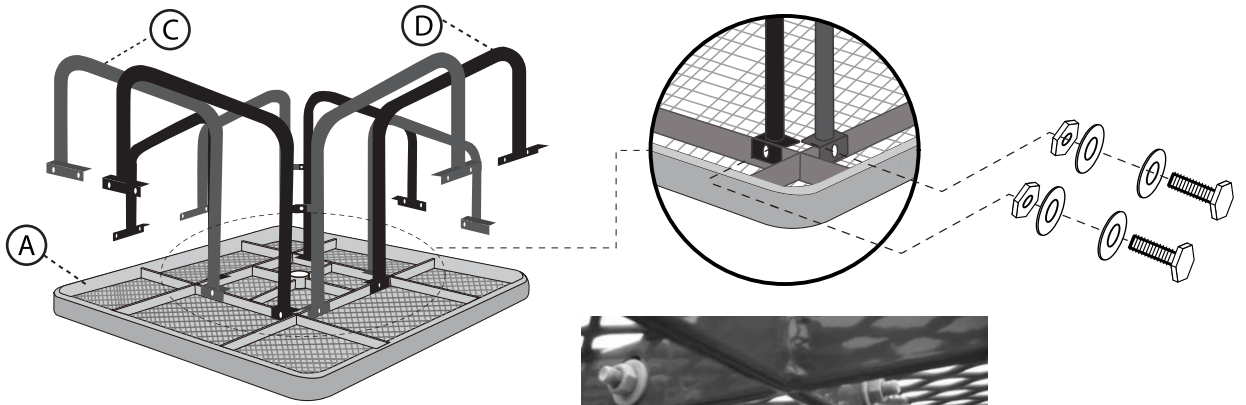


SKU: EMS-46

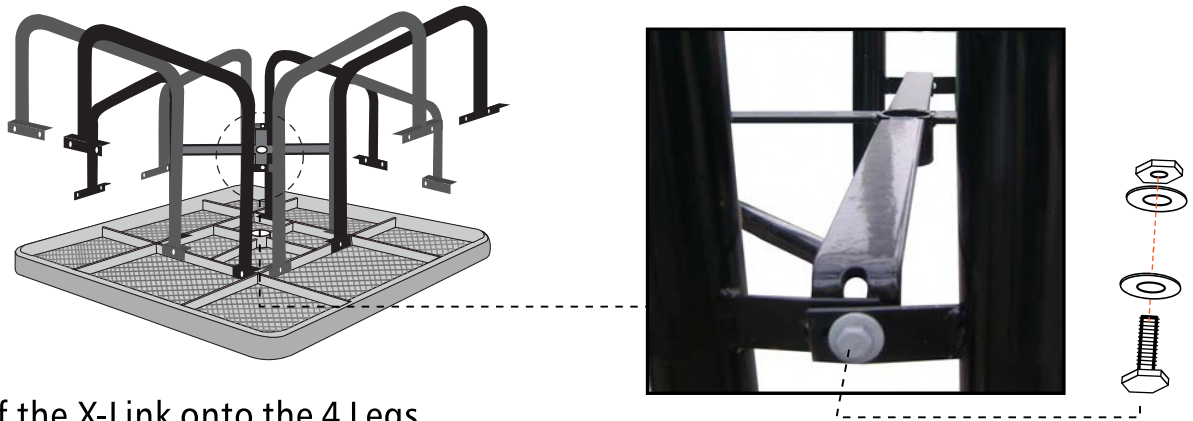
Name: Picnic Table

Expanded Metal, Square

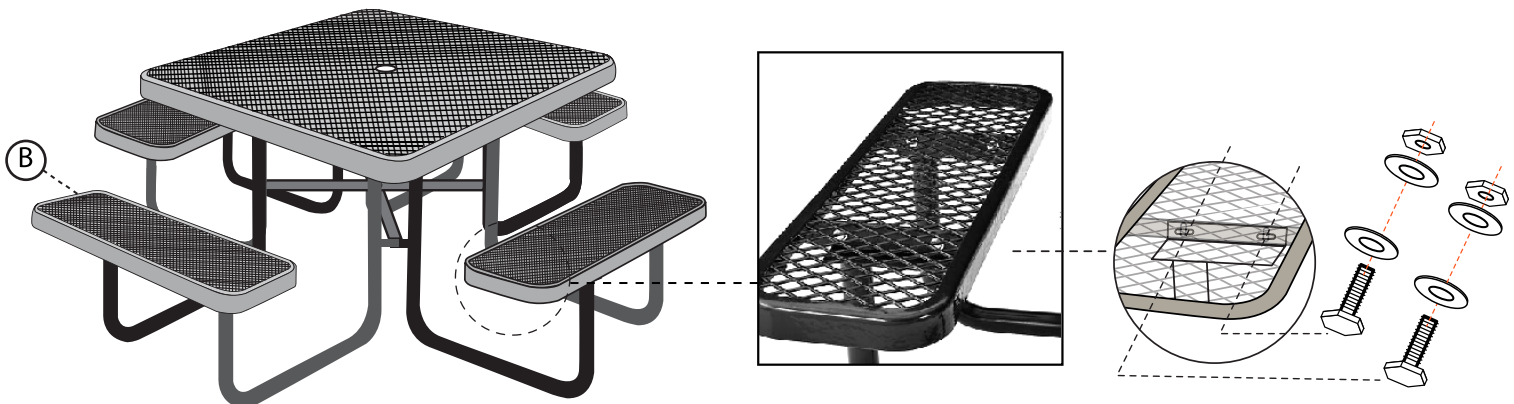
Table=A 	Seat=B 	Right Leg =C 	Left Leg =D 	
1pc	4pcs	4pcs	4pcs	X-Link 1pc
 Dia. 5/16" x L. 1-3/16" Hex Cap Screw and 5/16" Hex Nut Twenty-eight sets				
 Bracket x 4	 Screw x 8 Dia. 1/4" x L. 1-1/4"	 Drill Bit x 1 Dia. 1/5" x L. 3-1/8"		



Step 1
Assembly of the Legs and desktop



Step 2
Assembly of the X-Link onto the 4 Legs



Step 3
Assembly of the Legs and Seats

Mounting Hardware Instruction

Step 4

1. Using provided drill bit, drill hole into the concrete, block or stone to a depth of 2 -1/2".
2. Blow out the dust in the hole.
3. Place bracket over tubing
4. Secure screw flush with bracket into drilled hole.
5. Repeat on remaining screws.

