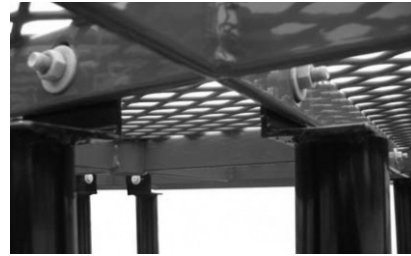
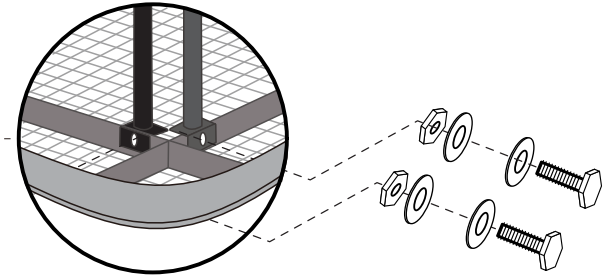
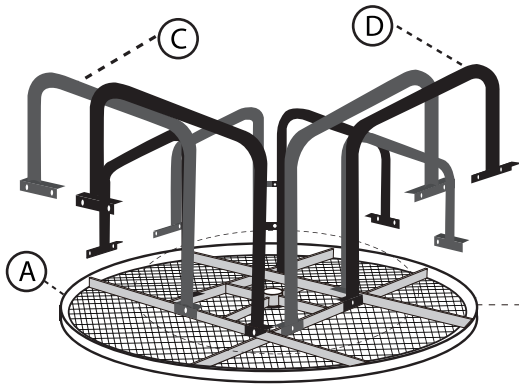
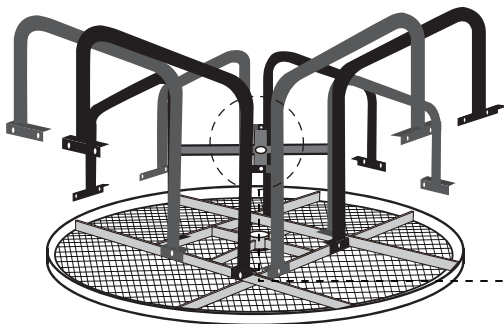


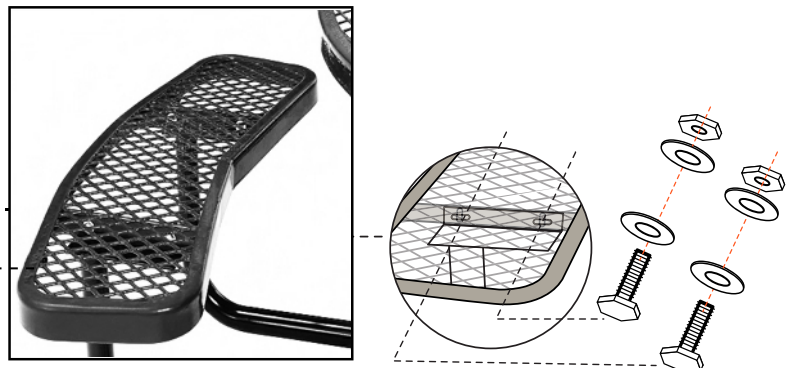
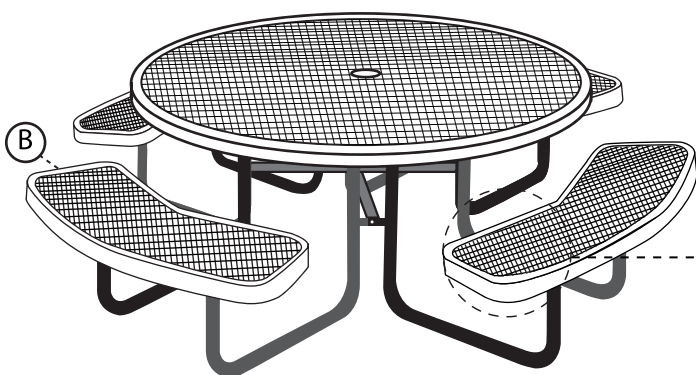
Table=A 	Seat=B 	Right Leg =C 	Left Leg =D 	
1pc	4pcs	4pcs	4pcs	X-Link 1pc
Dia. 5/16" x L. 1-3/16" Hex Cap Screw and 5/16" Hex Nut Twenty-eight sets				
Bracket x 4      Screw x 8 Dia. 1/4" x L. 1-1/4"      Drill Bit x 1 Dia. 1/5" x L. 3-1/8"				



**Step 1**  
Assembly of the Legs and desktop



**Step 2**  
Assembly of the X-Link onto the 4 Legs



**Step 3**  
Assembly of the Legs and Seats

# Mounting Hardware Instruction

## Step 4

1. Using provided drill bit, drill hole into the concrete, block or stone to a depth of 2 -1/2".
2. Blow out the dust in the hole.
3. Place bracket over tubing
4. Secure screw flush with bracket into drilled hole.
5. Repeat on remaining screws.

