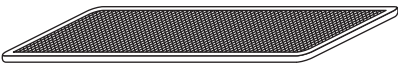

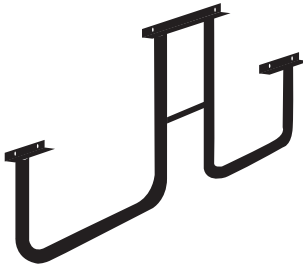







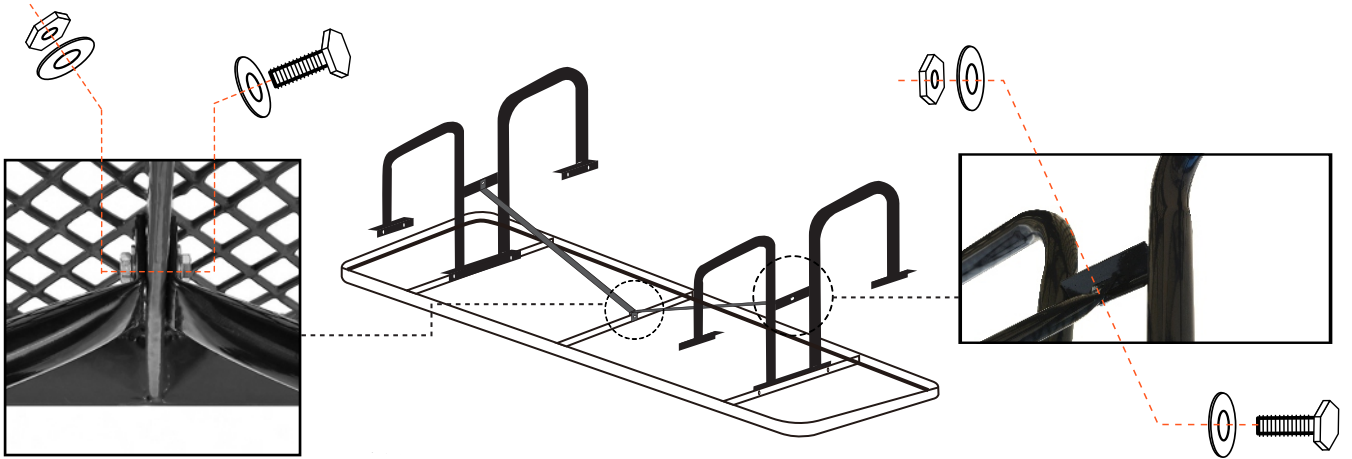
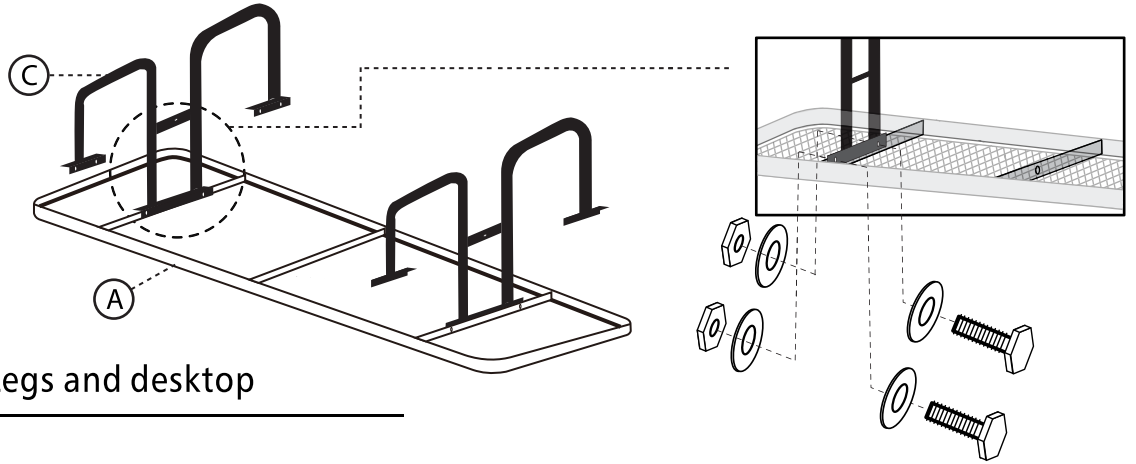
SKU: EML-72

Name: Picnic Table Expanded Metal, Rectangular

Table=A 	Seat=B 	Leg =C 	
1pc	2pcs		
 Dia. 5/16" x L. 1 3/16" Hex Cap Screw and 5/16" Hex Nut fifteen sets			
 Bracket x 4	 Screw x 8 Dia. 1/4" x L. 1-1/4"	 Drill Bit x 1 Dia. 1/5" x L. 3-1/8"	2pcs
			V-Link 2pcs

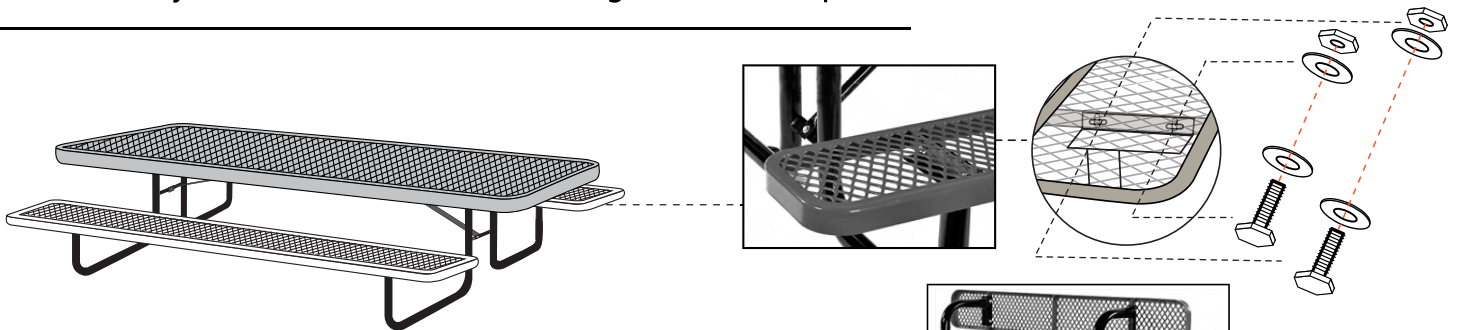
### Step 1

Assembly of the Legs and desktop



### Step 2

Assembly of the V-Link onto the 2 Legs and desktop



### Step 3

Assembly of the Legs and Seats

# Mounting Hardware Instruction

## Step 4

1. Using provided drill bit, drill hole into the concrete, block or stone to a depth of 2 -1/2".
2. Blow out the dust in the hole.
3. Place bracket over tubing.
4. Secure screw flush with bracket into drilled hole.
5. Repeat on remaining screws.

