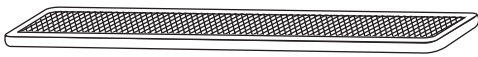


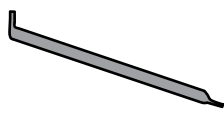
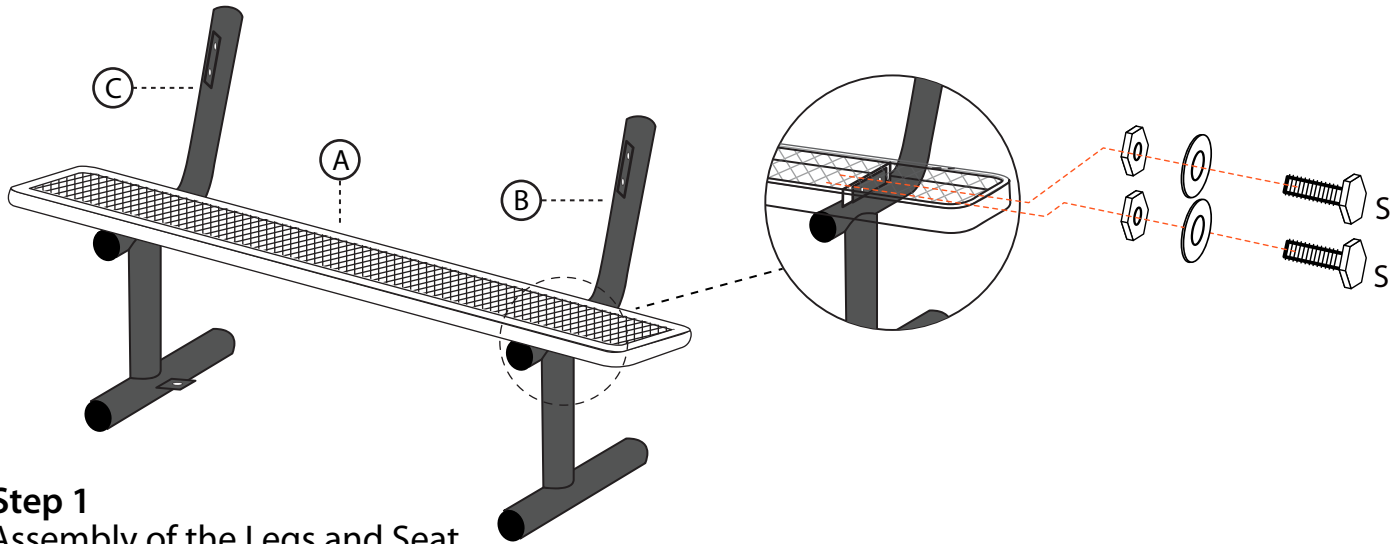
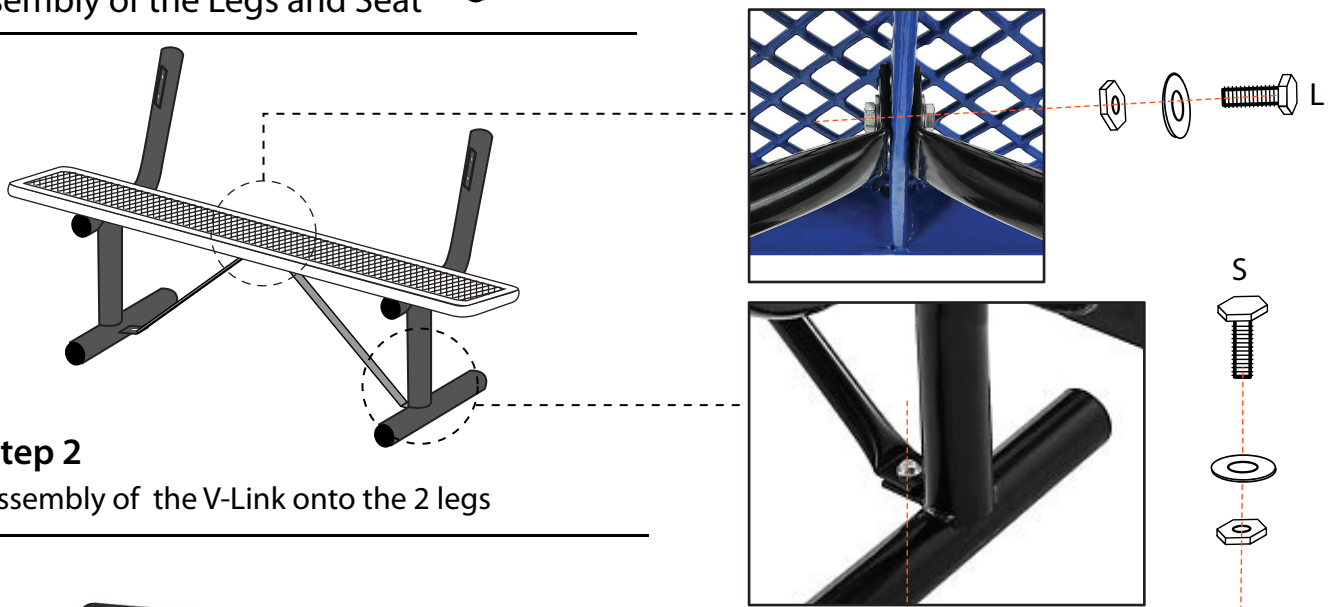


<p>Backrest and Seat = A</p> 	<p>Right Leg = B</p> 	<p>Left Leg = C</p> 	
<p>2pcs</p>	<p>1pc</p>	<p>1pc</p>	<p>V-Link 2pcs</p>
<p>L -- Dia. 5/16" x L. 1 3/8" Hex Cap Screw and 5/16" Hex Nut One set S -- Dia. 5/16" x L. 1" Hex Cap Screw and 5/16" Hex Nut Ten sets</p>			



Step 1
Assembly of the Legs and Seat



Step 2
Assembly of the V-Link onto the 2 legs



Step 3
Assembly of the Backrest onto the top of the legs