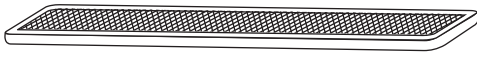


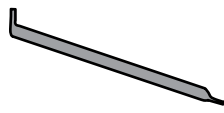



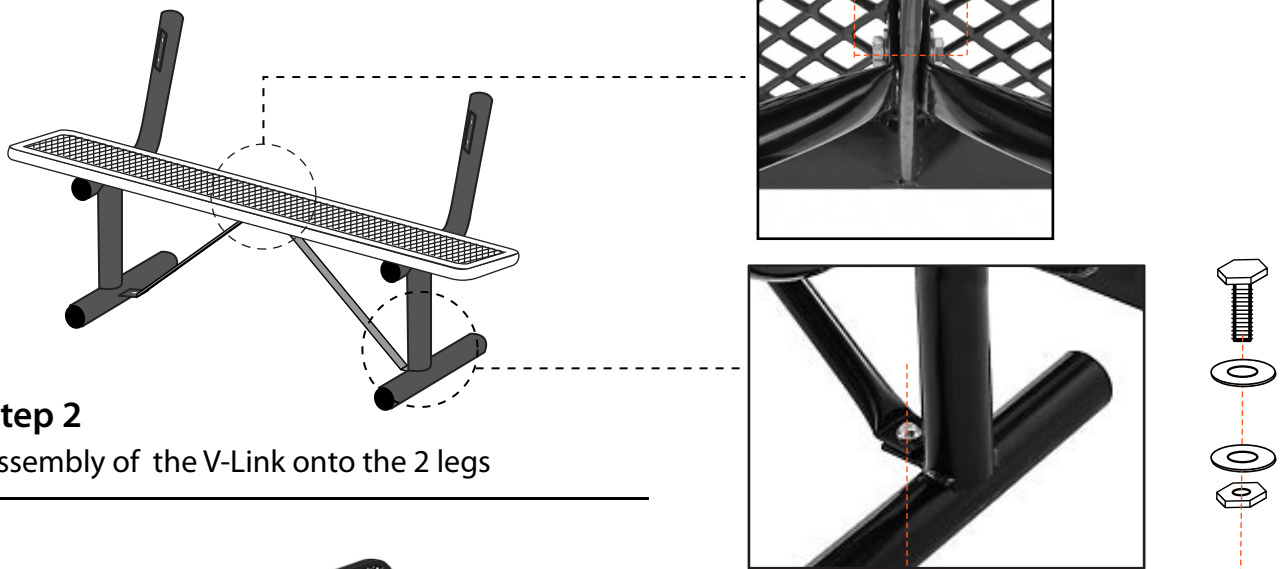
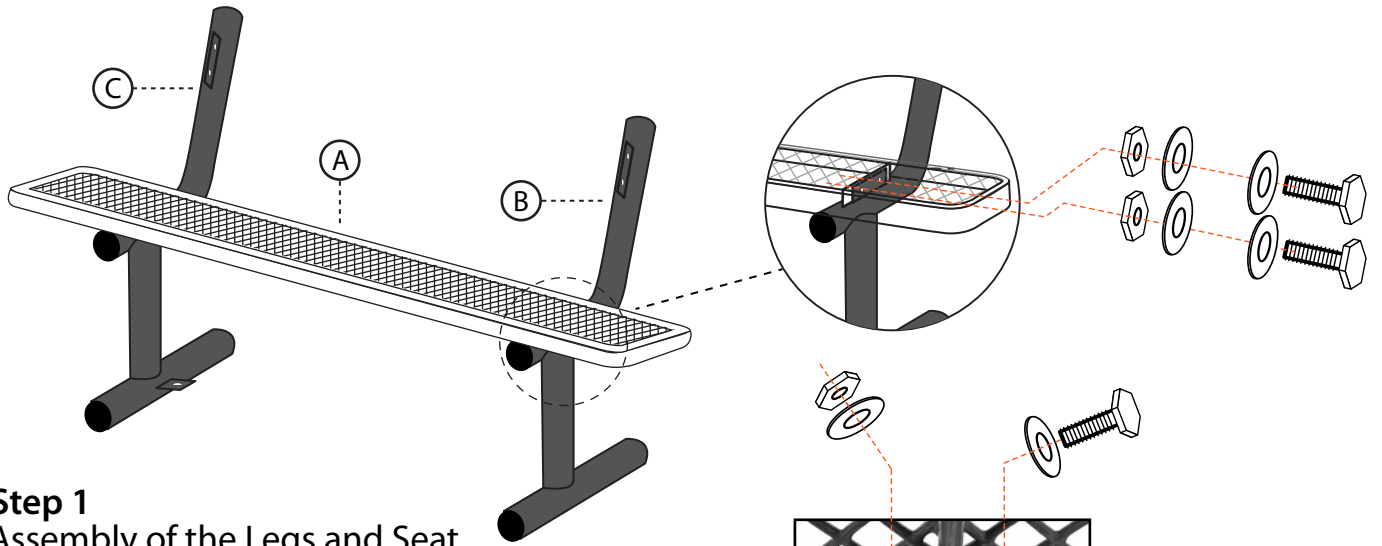


<p>Backrest and Seat = A</p> 	<p>Right Leg =B</p> 	<p>Left Leg =C</p> 	
<p>2pcs</p>			
<p>Dia. 5/16" x L. 1 3/16" Hex Cap Screw and 5/16" Hex Nut eleven sets</p>			
 <p>Bracket x 2</p>	 <p>Screw x 4 Dia. 1/4" x L. 1-1/4"</p>	 <p>Drill Bit x 1 Dia. 1/5" x L. 3-1/8"</p>	<p>1pc 1pc V-Link 2pcs</p>



Mounting Hardware Instruction

Step 4

1. Using provided drill bit, drill hole into the concrete, block or stone to a depth of 2 -1/2".
2. Blow out the dust in the hole.
3. Place bracket over tubing.
4. Secure screw flush with bracket into drilled hole.
5. Repeat on remaining screws.

