
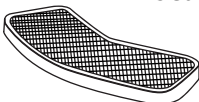
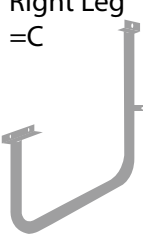
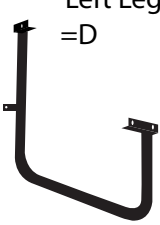
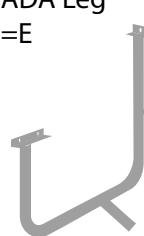
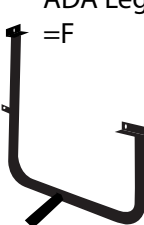
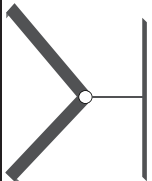




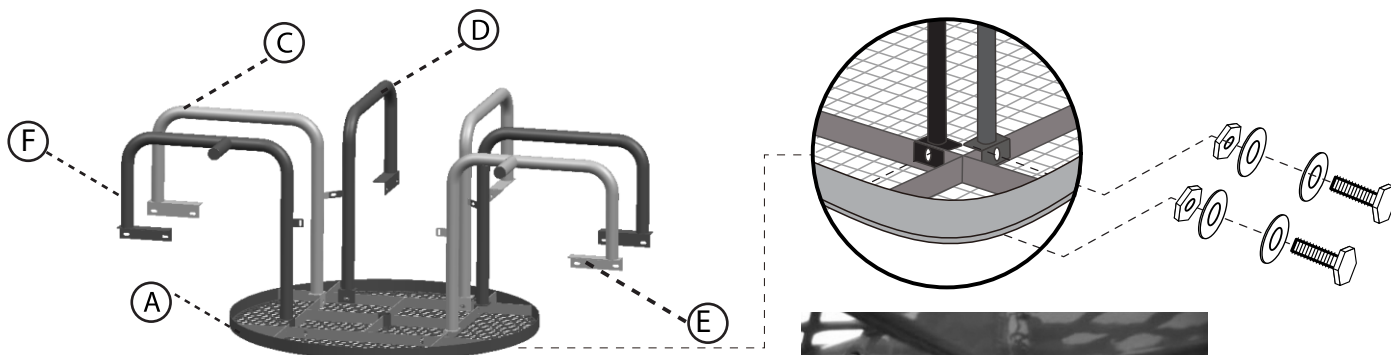
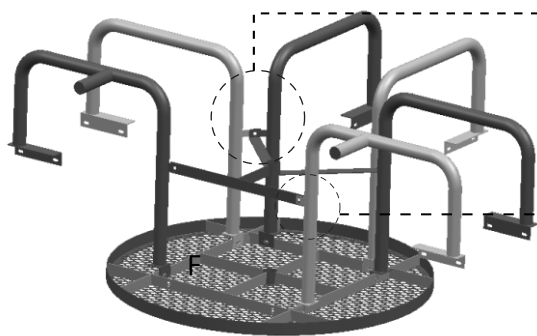


| | | | | | | |
|--|--|--|--|---|---|---|
| Table=A  | Seat=B  | Right Leg =C  | Left Leg =D  | ADA Leg =E  | ADA Leg =F  |  |
| 1pc | 3pcs | | | | | |
|  | Dia. 5/16"x L. 1 3/16" Hex Cap Screw and 5/16" Hex Nut Twenty-two sets | | | | | |
|  Bracket x 3 |  Screw x 6 Dia. 1/4"xL. 1-1/4" |  Drill Bit x 1 Dia. 1/5"xL. 3-1/8" | 2pcs | 2pc | 1pc | 1pc |



Step 1
Assembly of the Legs and desktop



Step 2
Assembly of the Link onto the 6 legs



Step 3
Assembly of the Legs and Seats



Mounting Hardware Instruction

Step 4

1. Using provided drill bit, drill hole into the concrete, block or stone to a depth of 2 -1/2".
2. Blow out the dust in the hole.
3. Place bracket over tubing.
4. Secure screw flush with bracket into drilled hole.
5. Repeat on remaining screws.

